



Tributaire Storage



Tributaire offers credenzas, storage screens, and monitor stands that provide practical storage with a cohesive, flowing design. Storage complements the comprehensive Tributaire line for design continuity.

Key Features

Credenza

- A** **Storage Capacity**
Laminate cabinet with two adjustable shelves large enough to hold electronic devices.
- B** **Steel Accent**
Perforated panel between laminate doors allow for airflow within the cabinet.
- C** **Feet Options**
Available with casters or glides. Casters available in black, warm grey, and cottonwood with warm grey tread. Glides available in black, warm grey, and cottonwood.
- D** **Wire Management**
Cable cubby in the center of the cabinet sections and cutout for cord routing on the back.
- E** **Optional Power**
Quad Tap power with 4 receptacles secured to cabinet.
- F** **Optional Locks**
Available in satin chrome.



Key Features

Storage Screen

- A** **Screen Selections**
Available 1- or 2-sided, choose from three materials, including markerboard, PET felt, and fabric.
- B** **Storage Capacity**
Laminate cabinet with two adjustable shelves large enough to hold electronic devices.
- C** **Steel Accent**
Perforated panel between laminate doors allow for airflow within the cabinet.
- D** **Feet Options**
Available with casters or glides. Casters available in black, warm grey, and cottonwood with warm grey tread. Glides available in black, warm grey, and cottonwood.
- E** **Wire Management**
Cable cubby in the center of the cabinet sections and cutout for cord routing on the back.
- F** **Optional Power**
Quad Tap power with 4 receptacles secured to cabinet.
- G** **Optional Locks**
Available in satin chrome.
- H** **Optional Ganging**
Enables seamless integration with the post-leg half-rounded square table, fostering collaboration while offering built-in storage with effective space division.



Key Features

Monitor Stand

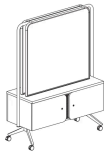
- A** **Screen Selections**
Available in 1- or 2-sided. Side 1, choose a laminate. Optional side 2 available in laminate, markerboard, PET felt, and fabric.
- B** **Storage Capacity**
Laminate cabinet with two adjustable shelves large enough to hold electronic devices.
- C** **Steel Accent**
Perforated panel between laminate doors allow for airflow within the cabinet.
- D** **Feet Options**
Available with casters or glides. Casters available in black, warm grey, and cottonwood with warm grey tread. Glides available in black, warm grey, and cottonwood.
- E** **Wire Management**
Cable cubby in the center of the cabinet sections and cutout for cord routing on the back.
- F** **Optional Power**
Quad Tap power with 4 receptacles secured to cabinet.
- G** **Optional Locks**
Available in satin chrome.
- H** **Optional Ganging**
Enables seamless integration with the post-leg half-rounded square table for media sharing, while offering built-in storage with effective space division.



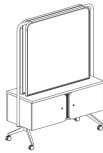
Styles



Credenza
W52" D22" H29"



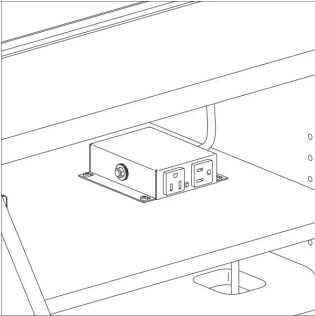
Storage Screen
W55.5" D22" H72"



Monitor Stand
W55.5" D22" H72"

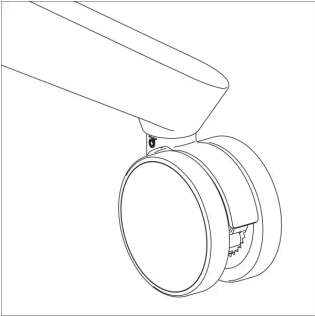
Options

Power

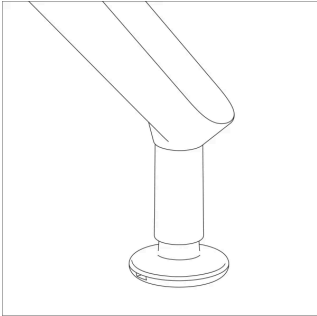


Quad Tap

Feet

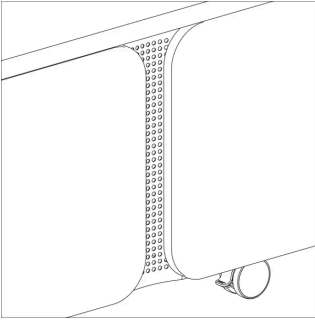


Casters

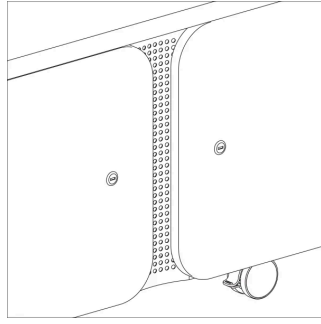


Glides

Locks



No Lock

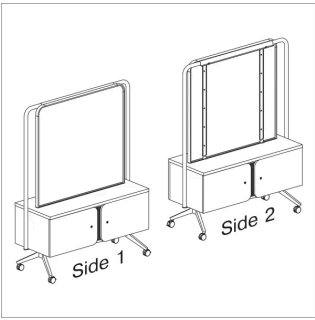


Lock*

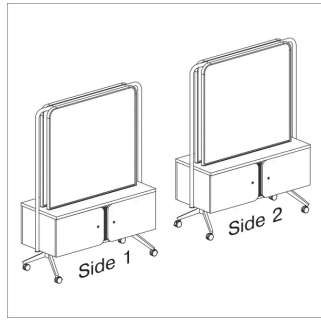
**Available in satin chrome.*

Screen Sides*

**Available for storage screens and monitor stands.*



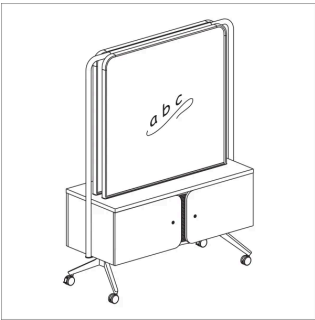
1-sided



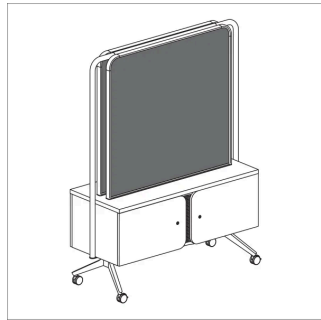
2-sided

Screen Materials*

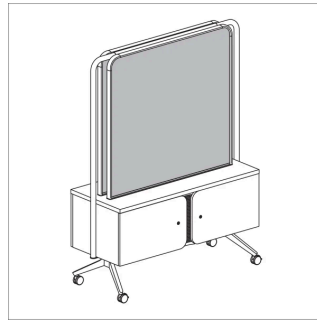
**Available for storage screens and monitor stands.*



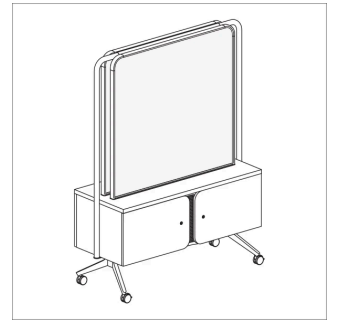
Markerboard



PET Felt



Fabric

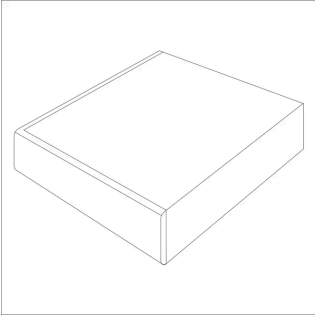


Laminate*

**Required on monitor stand.*

Edge Styles*

**Available for storage screens and monitor stands.*



74P

Document Links

BROCHURE

[View brochure.](#)

PRICING

[View price list.](#)

PHOTOGRAPHY

[View image gallery.](#)

VIDEOS

[View product videos.](#)

SEE IT SPEC IT

[Create your own virtual spec.](#)

CAD/REVIT SYMBOLS

[View symbol library.](#)

TECH SPECS

[View product specifications.](#)

SUSTAINABILITY - CREDENZA

[View environmental data sheet.](#)

SUSTAINABILITY - STORAGE SCREEN AND MONITOR STAND

[View environmental data sheet.](#)

SURFACE MATERIALS

[View approved finishes.](#)

PLANNING GUIDE

[View planning guide.](#)

Tributaire Collection

To ensure a cohesive look and optimal functionality, the Tributaire Collection offers a range of tables and complementary pieces such as credenzas, lecterns, monitor stands, and storage screens.



Training Table



Post-Leg Table



Café Table



C-Leg Table



Conference Table



Occasional Table



Storage



Lectern



Nesting Screen

WARRANTY

Lifetime