



Tributaire Post-Leg Tables



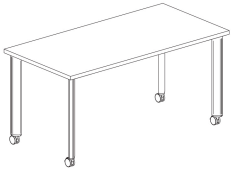
With a variety of shapes and sizes, Tributaire post-leg tables serve multiple functions. Available in nine top shapes and three fixed heights.

Key Features

- A** **Height Options**
Available in three fixed heights, including 29, 36, and 42".
- B** **Shape Variety**
Choose from nine top shapes, including rectangle, round, square, rounded square, half-rounded square, D-shape, sprocket, boat, and pill.
- C** **Edge Options**
Choose from two edge options, including 74P and knife.
- D** **Feet Options**
Available with low-profile glides or casters with three color options, including black, warm grey, and cottonwood with warm grey tread.
- E** **Optional Power**
Available with 3-prong and single circuit with wire management.
- F** **Optional Modesty Panels**
Available in PET felt and laminate (rectangle only).

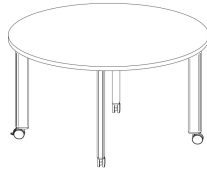


Styles



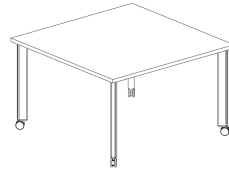
Rectangle

W 36, 42, 48, 54, 60, 66, 72,
84, 96"
D 24, 30, 36, 42, 48"
H 29, 36, 42"



Round

W 42, 48, 60"
D 42, 48, 60"
H 29, 36, 42"



Square

W 36, 42, 48, 60"
D 36, 42, 48, 60"
H 29, 36, 42"



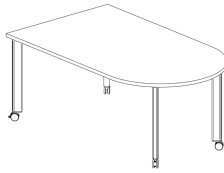
Rounded Square

W 42, 48, 60"
D 42, 48, 60"
H 29, 36, 42"



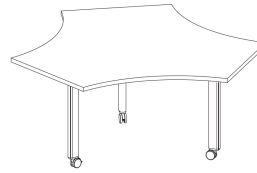
Half Rounded Square

W 60, 84"
D 52"
H 29"



D-Shape

W 60, 72"
D 42, 48"
H 29"



Sprocket

W 48, 60"
D 57, 60, 69"
H 29"



Boat

W 60, 66, 72, 84, 96"
D 30, 36, 42, 48"
H 29"

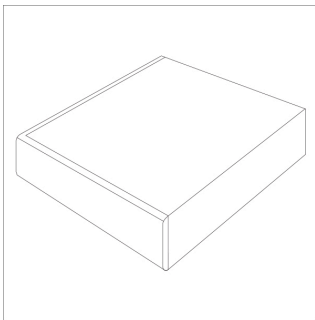


Pill

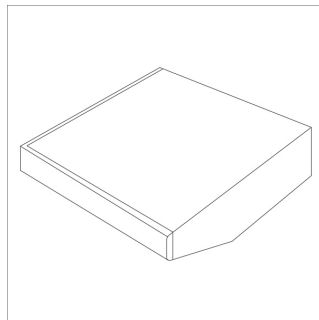
W 60, 66, 72, 84, 96"
D 30, 36, 42, 48"
H 29"

Options

Edge Styles

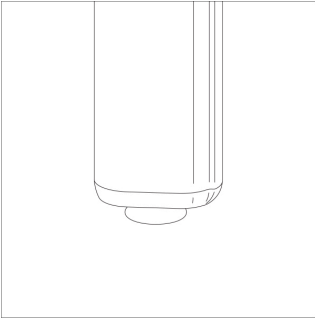


74P

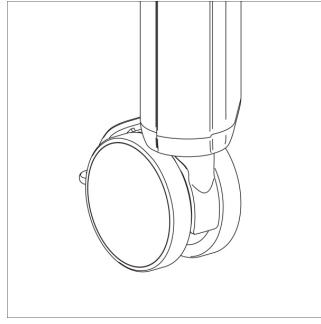


Knife

Feet

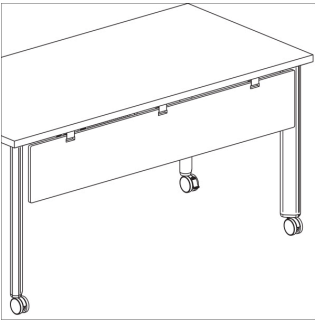


Low Profile Glides

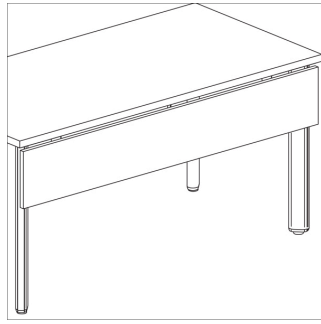


Casters

Modesty Panel

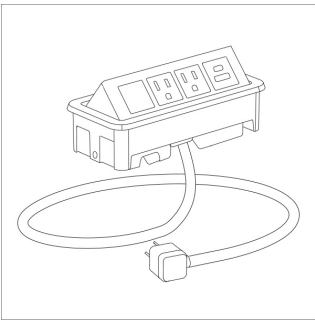


PET Felt

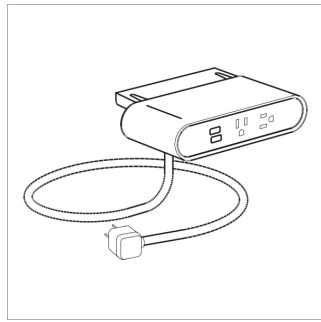


Laminate

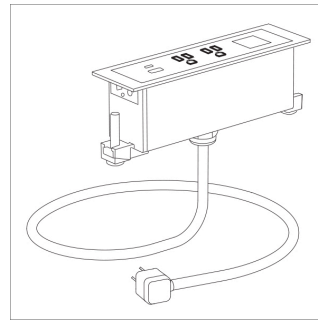
Power (single circuit or 3-prong plug)



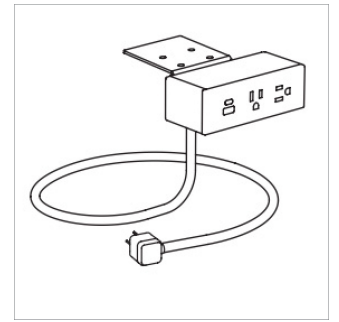
Nacre Pop-up Module



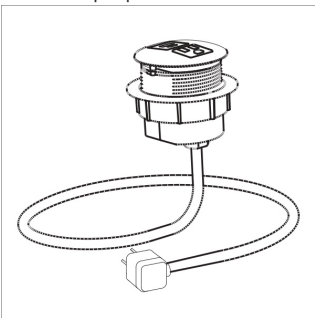
Dubbel Undersurface Module



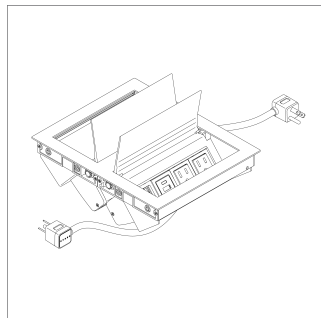
Dean In-surface Module



Dean Undersurface Module



Node In-surface Module



Double Ellora B Power Module

Document Links

BROCHURE

[View brochure.](#)

PRICING

[View price list.](#)

PHOTOGRAPHY

[View image gallery.](#)

VIDEOS

[View product videos.](#)

SEE IT SPEC IT

[Create your own virtual spec.](#)

CAD/REVIT SYMBOLS

[View symbol library.](#)

TECH SPECS

[View product specifications.](#)

SUSTAINABILITY

[View environmental data sheet.](#)

SURFACE MATERIALS

[View approved finishes.](#)

PLANNING GUIDE

[View planning guide.](#)

Tributaire Collection

To ensure a cohesive look and optimal functionality, the Tributaire Collection offers a range of tables and complementary pieces such as credenzas, lecterns, monitor stands, and storage screens.



Training Table



Post-Leg Table



Café Table



C-Leg Table



Conference Table



Occasional Table



Storage



Lectern



Nesting Screen

WARRANTY

Lifetime