



Tributaire Cafe Tables



Stylish Tributaire café tables offer sizes and shapes to suit your space and needs. Select from three shapes, three fixed heights, and optional power. Invite moments of connection and rejuvenation with a graceful, fluid leg design. Choose the size and shape that suits your space and needs.

Key Features

- A** **Height Options**
Available in three fixed heights, including 29, 36, and 42".
- B** **Top Shapes**
Choose from three top shapes, including round, square, and rounded square.
- C** **Edge Options**
Choose from two edge options, including 74P and knife.
- D** **Low-Profile Glides**
Available on X-Base.
- E** **Polished Appearance**
Optional polished appearance option for base.
- F** **Optional Power**
Node in-surface power module available with cord management through the column.



Styles



Round
W 30, 36"
D 30, 36"
H 29, 36"



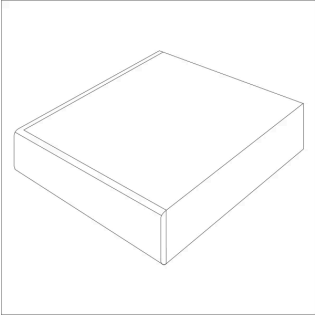
Square
W 30, 36, 42"
D 30, 36, 42"
H 29, 36, 42"



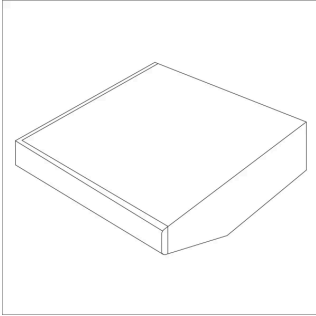
Rounded Square
W 30, 36, 42"
D 30, 36, 42"
H 29, 36, 42"

Options

Edge Styles

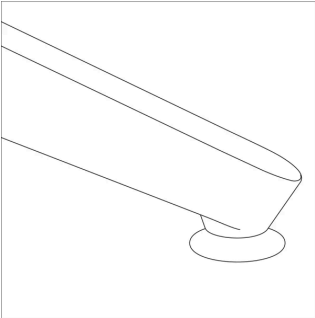


74P



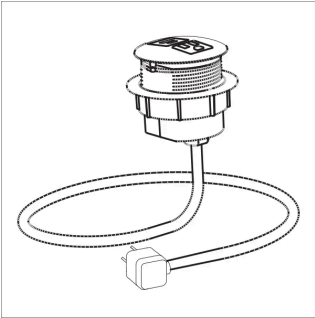
Knife

Feet



Low Profile Glides

Power



Node In-surface Module

Document Links

BROCHURE

View brochure.

PRICING

View price list.

PHOTOGRAPHY

View image gallery.

VIDEOS

View product videos.

SEE IT SPEC IT

Create your own virtual spec.

CAD/REVIT SYMBOLS

View symbol library.

TECH SPECS

View product specifications.

SUSTAINABILITY

View environmental data sheet.

SURFACE MATERIALS

View approved finishes.

PLANNING GUIDE

View planning guide.

Tributaire Collection

To ensure a cohesive look and optimal functionality, the Tributaire Collection offers a range of tables and complementary pieces such as credenzas, lecterns, monitor stands, and storage screens.



Training Table



Post-Leg Table



Café Table



C-Leg Table



Conference Table



Occasional Table



Storage



Lectern



Nesting Screen