



RoomScape Residence Hall Furniture



RoomScape is an advanced room management system that provides durability and flexibility.

Dynamic Room Customization

RoomScape stands as an innovative room management solution that offers both durability and adaptability. Empowering students with the freedom to swiftly and effortlessly personalize and rearrange rooms, this advanced system boasts tool-less assembly. Each room can readily transform to accommodate unique preferences and lifestyles.

Features

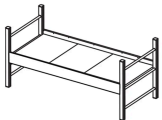
- With student-preferred RoomScape, each living area can be reconfigured to fit individual needs and lifestyles
- RoomScape is simple, quick and safe to assemble with no tools required
- Loft beds, bunk beds and single beds - with spring or platform bed decks
- Stackable and hang-on components include shelves, worksurfaces, wardrobes and ladders
- Recyclable materials and no off-gassing

Construction

- Bed frame ends are heavy 14-gauge steel tubular uprights with vertical slots on 1" center to provide height adjustment for bed deck and hang-on components
- Bed deck frame is composed of two 11-gauge steel rails with hooks to fasten into the bed frame slots
- Bed deck has three 3/4" thick, 45 lb. density particleboard deck boards with white melamine top and bottom surfaces - optional plywood deck is available
- Worksurfaces are 45 lb. high-density particleboard with high-pressure laminate and edge banding
- Hang-on tackboards are 3/4" thick industrial grade micore with fabric upholstery

Styles

Beds



Single
W 38.88"
D 86"
H 39.38"



Bunked
W 38.88"
D 86"
H 78.38"



Lofted
W 38.88"
D 86"
H 78.38"

*Available with board-deck frame or spring-deck frame

Worksurfaces

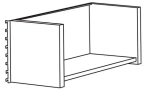


Hang-On Worksurface
W 38"
D 24"
H 1.25"

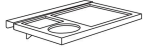


Hang-On Mega Surface
W 37, 40"
D 15, 18"

Hang-On Storage



Hang-On Shelf
W 25.63"
D 13.38"



Personal Shelf
W 8"
D 13.5"

Pedestals



Mobile Box/Box/File
W 15"
D 21.63"
H 27.63"



Mobile Pencil/Box/File
W 15"
D 21.63"
H 24.68"

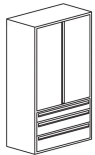


Freestanding Box/Box/File
W 15"
D 21.63"
H 25.31"



Freestanding Pencil/Box/File
W 15"
D 21.63"
H 22.25"

Wardrobes

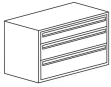


Combination
W 36"
D 18, 24"
H 76"

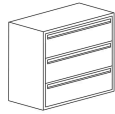


Stack-On
W 36"
D 18"
H 28.53"

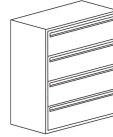
Dressers



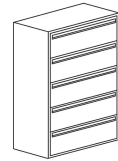
3-Drawer Combination
W 36"
D 18"
H 28.53"



3-Drawer
W 36"
D 18"
H 34.66"



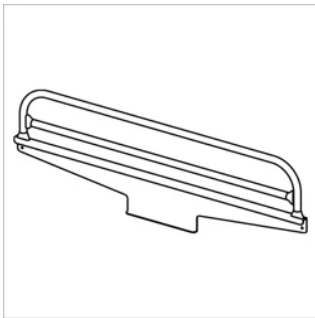
4-Drawer
W 36"
D 18"
H 45.38"



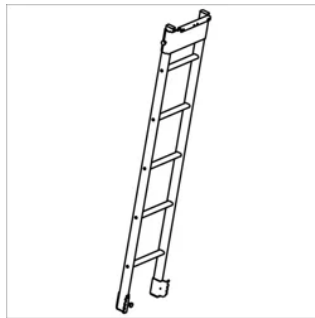
5-Drawer
W 36"
D 18"
H 56.1"

Accessories

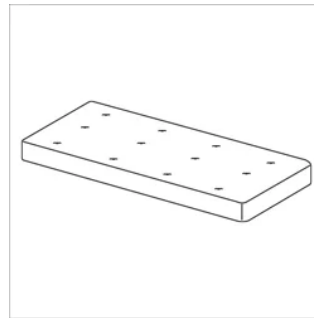
Bed



Bed Safety Bar
W 55"
D 1"
H 8.25"

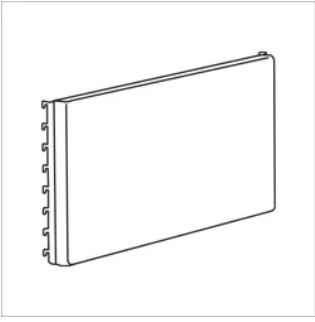


Ladder
W 15"
D 2"
H 75"

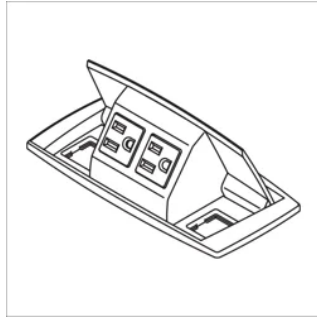


Mattress
W 36"
D 80"

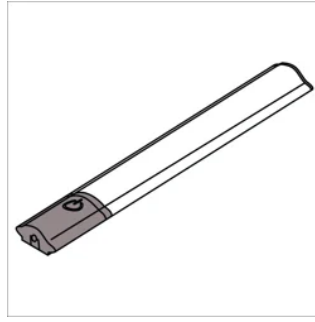
Worksurface



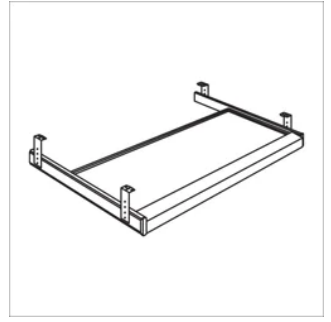
Hang-On Tackboard
W 36"
H 16"



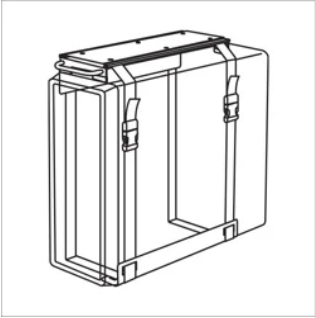
PowerUp Module
W 6.25"
D 3"



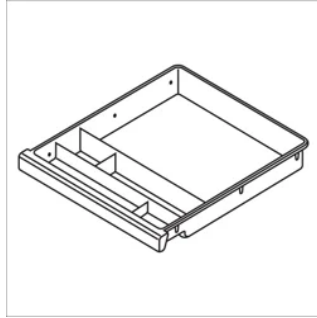
Overhead LED Task Light
W 12, 17, 31, 44"
*Available in Single, Starter, or Adder



Keyboard Tray
W 20.88"
D 10.5"

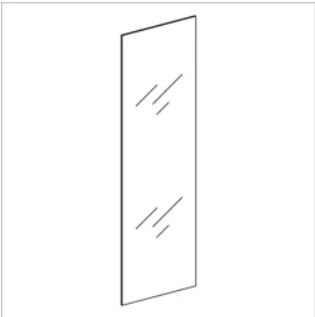


CPU Sling
W 5.38"
D 18"

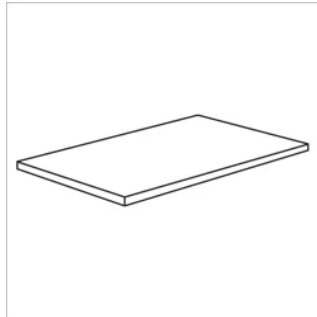


Center Drawer
W 17.88"
D 17"
H 2.5"

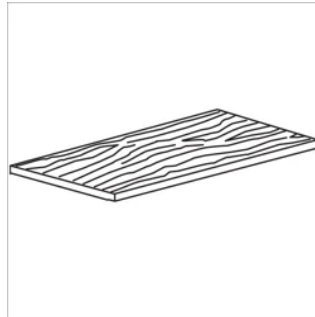
Storage



Wardrobe Mirror
W 11.88"
D .13"
H 36"



Freestanding Dresser Top - Steel
W 36"
D 18"
H .63"
*Available in pedestals, wardrobes, and dressers



Freestanding Dresser Top - Woodgrain Laminate
W 36"
D 18"
H .63"
*Available in pedestals, wardrobes, and dressers

Lifetime*

*1 year warranty on RoomScape mattress