



## LimeLite Tandem Seating



Beam-mounted LimeLite tandem seating features a slim seat profile, contoured shape, and inherent back flex for comfort.

# Key Features

---

- A Flex Comfort**  
Inherent flex comfort is provided by the one-piece seat shell architecture and unique blend of materials (see detail).
- B Material Options**  
Available as all poly or with an upholstered seat.
- C Optional Connector Tables**  
In-line and corner tables provide space-planning options for straight, L-shape, or U-shape configurations.



# Styles

---



One Seat  
W20" H33"  
Seat: W18.25" D17.25" H17"



One Seat and Inline Table  
W44" H33"  
Seat: W18.25" D17.5" H17"



Two Seats  
W44" H33"  
Seat: W18.25" D17.5" H17"



Two Seats and Inline Table  
W66" H33"  
Seat: W18.25" D17.5" H17"



Three Seats  
W66" H33"  
Seat: W18.25" D17.5" H17"



Three Seats and Inline Table  
W86" H33"  
Seat: W18.25" D17.5" H17"



Four Seats  
W86" H33"  
Seat: W18.25" D17.5" H17"



Three Seats and Two Inline Tables  
W108" H33"  
Seat: W18.25" D17.5" H17"



Four Seats and Inline Table  
W108" H33"  
Seat: W18.25" D17.5" H17"



Five Seats  
W108" H33"  
Seat: W18.25" D17.5" H17"

# Options

---

## Shell Style



Poly Seat



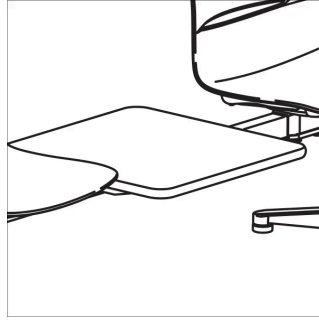
Upholstered Seat

## Additional Components

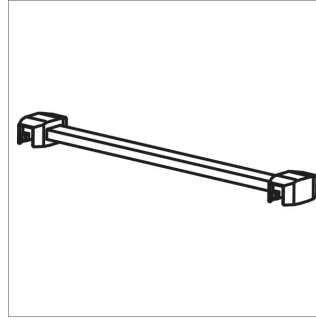
---



Corner Table  
W30" D30" H17"



Inline Table  
W20" D20" H17"



Back Ganging Bar

## Document Links

---

### **BROCHURE**

[View brochure.](#)

### **PRICING**

[View price list.](#)

### **PHOTOGRAPHY**

[View image gallery.](#)

### **VIDEOS**

[View product videos.](#)

### **SEE IT SPEC IT**

[Create your own virtual spec.](#)

### **CAD/REVIT SYMBOLS**

[View symbol library.](#)

### **TECH SPECS**

[View product specifications.](#)

### **SUSTAINABILITY**

[View environmental data sheet.](#)

### **SURFACE MATERIALS**

[View approved finishes.](#)



# LimeLite Seating

LimeLite presents a slim profile and contoured shape to elevate aesthetics and comfort in any environment. The cohesive, extended seating line offers design consistency with high visual impact.



Stack Chair



High-Density Stack Chair



Nesting Chair



Guest Chair



Task Chair



Task Stool



Café Stool



High-Density Stack Stool



Conference Chair



Conference Stool



Tandem Seating